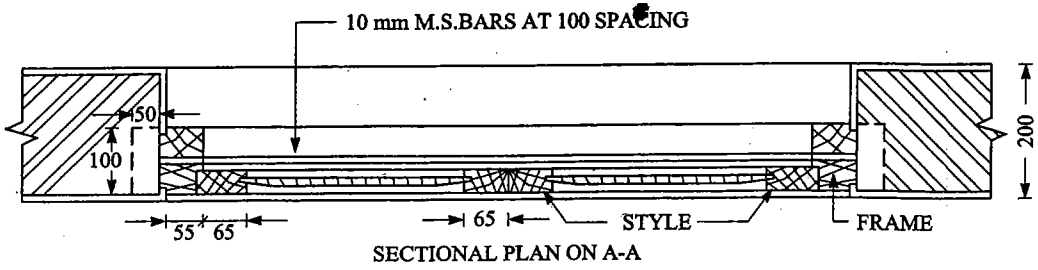
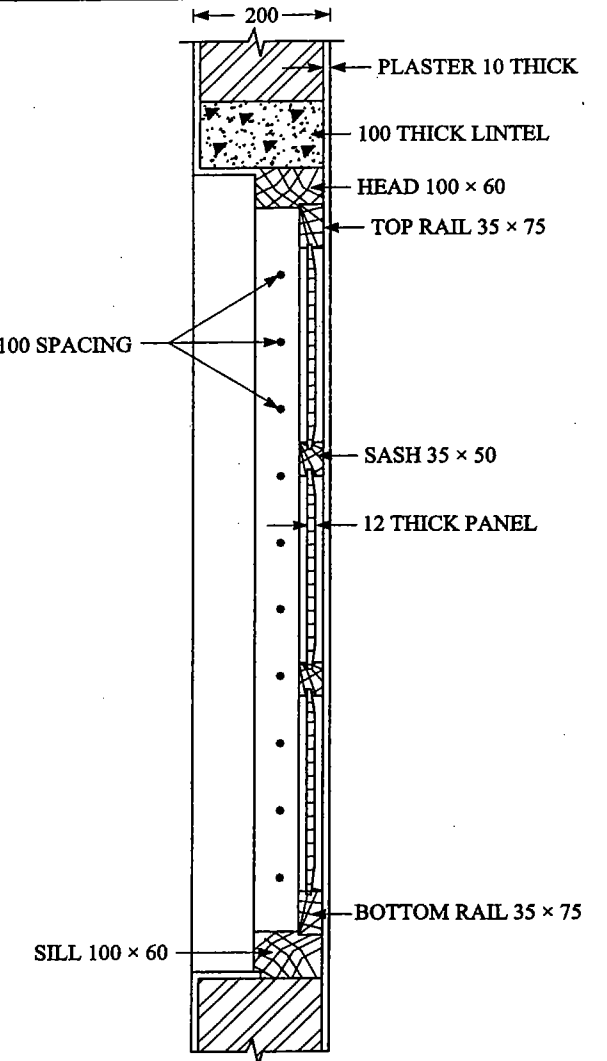


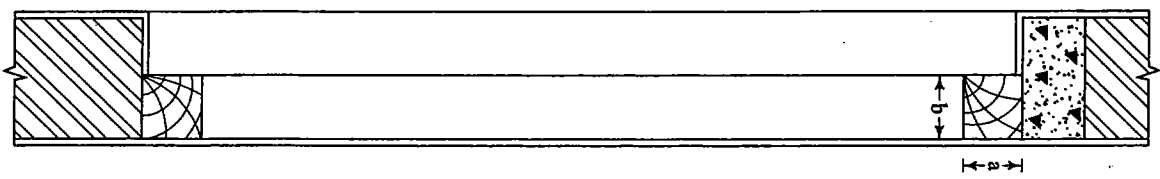
10 DIA. M.S.BARS AT 100 SPACING



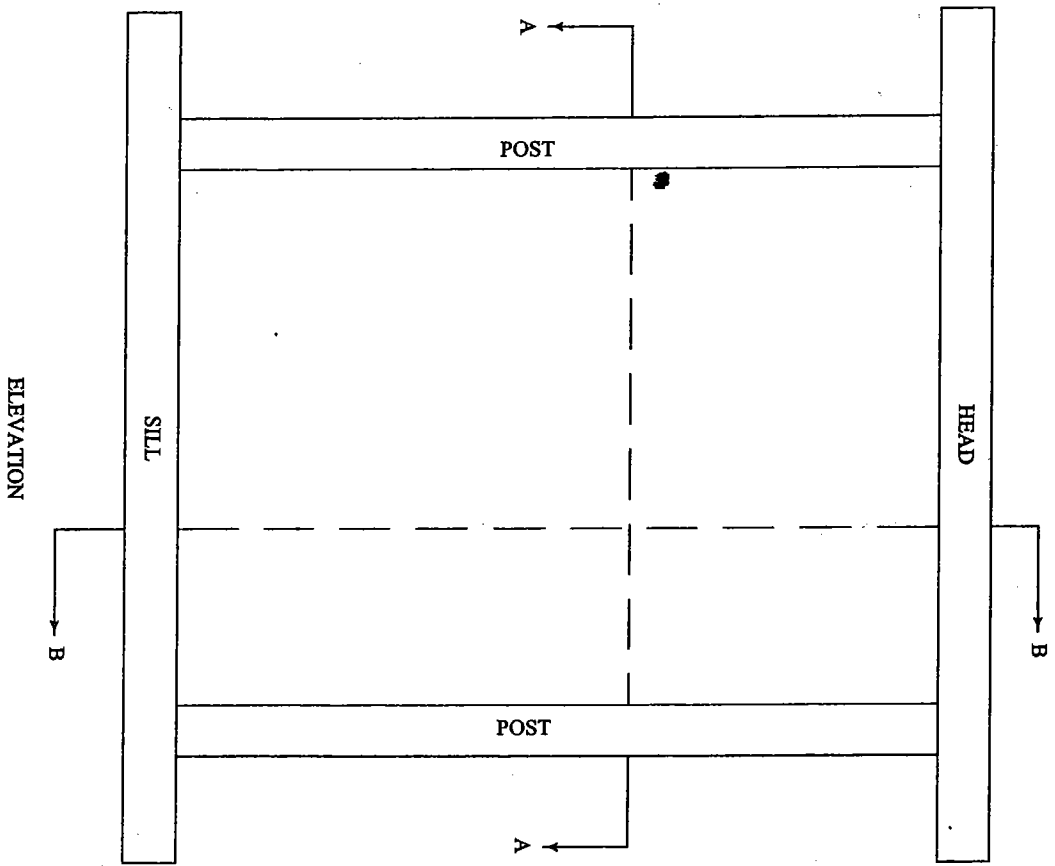
THICKNESS OF SHUTTER = 35

ALL DIMENSIONS ARE IN mm

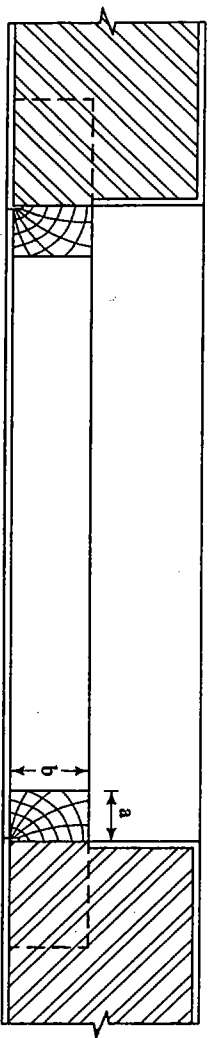
PLATE NO. 20: PANELLED WINDOW
CHAROTAR PUBLISHING HOUSE PVT. LTD., ANAND



SECTION ON B-B



ELEVATION



SECTION ON A-A

PLATE NO. 19: WINDOW FRAME